



UNIQUE PROFILE DRAINAGE

ALLPIPE LTD - SOLE LICENSED MANUFACTURERS

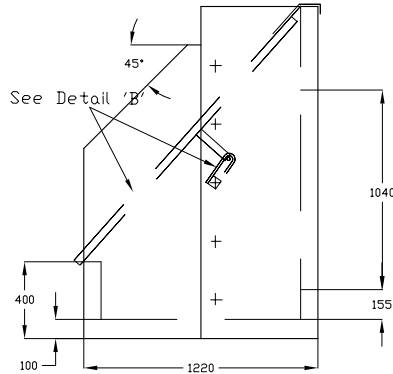
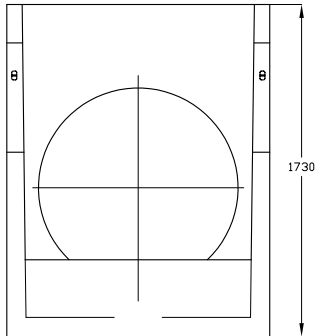
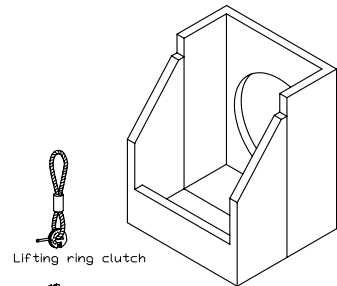
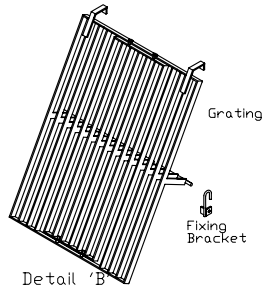
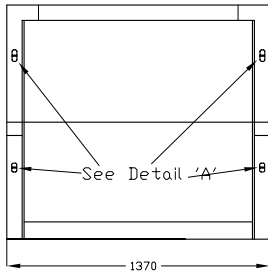
www.althon.net

Email: kevinprice@allpipe.co.uk

tel 01603 488700 fax 01603 488598

Headwall Detail Silt Trap 900

Scale NTS



Detail 'A'
"Cast in" Universal anchor point
Installation

Units should be bedded on minimum 100mm of semi-dry concrete. Sit the headwall level or with a slight fall 1:50 from pipe to spill mouth.
For full detailed installation instructions contact Allpipe Ltd, on Tel: 01603 488700

Material: Reinforced concrete
Weight approximately 1250kg

All dimensions in mm

Typical details for inlet headwall with silt capacity to suit up to 900mm dia pipe.