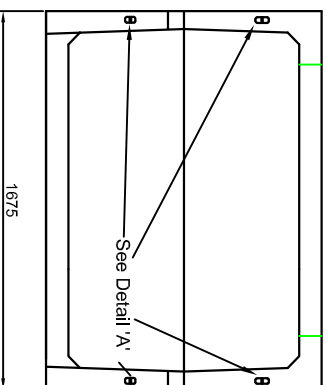
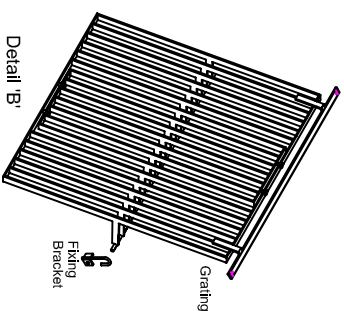
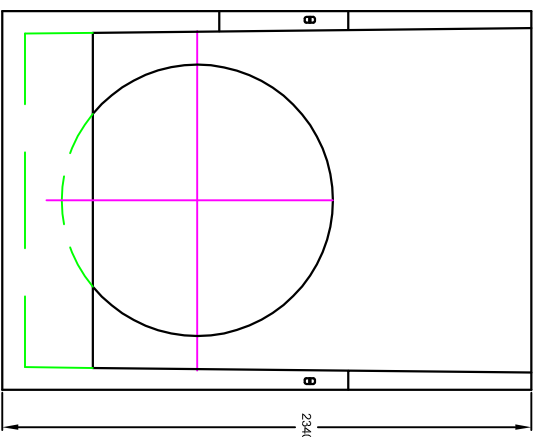


Plan View with grating removed.

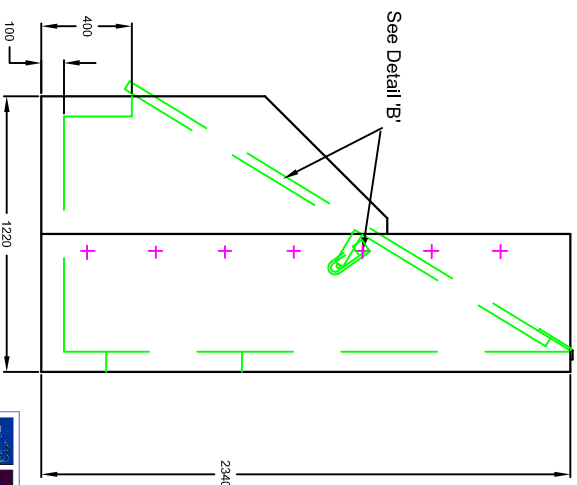


Opening cast into back wall to suit the outside diameter of the pipe at invert as required.

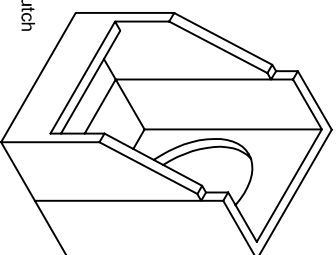
Front elevation with grating removed.



Detail 'B'



TWO PIECE HEAVY DUTY SILT TRAP INLET 2PHDST 1



Lifting Ring Clutch



Cast in Universal Anchor Point

Detail 'A'

Installation
Units should be bedded on minimum 100mm of semi-dry concrete. Sit the headwall level with the front sill being set normally at ditch bed level. For full detailed installation instructions contact ALTHON Ltd, 01603 488700

Material: Reinforced concrete
Weight: approximately 2280kg

All dimensions in mm

Althon Ltd
Vulcan Rd South
Norwich NR6 6AF
t: 01603 488700
f: 01603 488598
www.althon.co.uk

