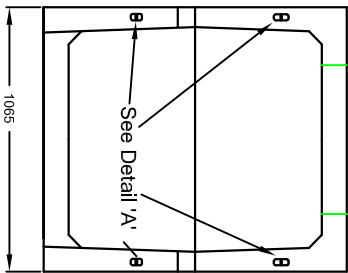
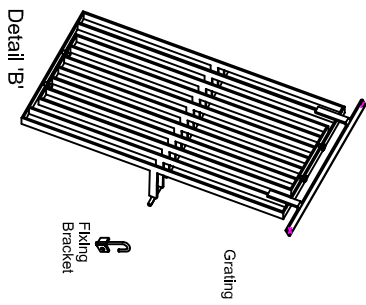


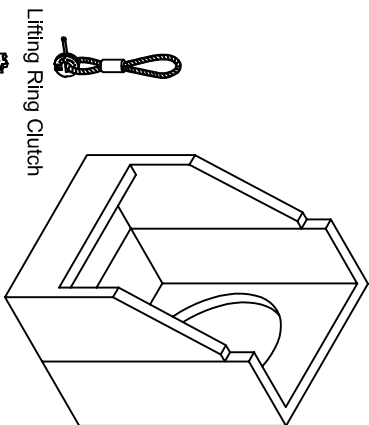
Plan View with
grating removed.



Opening cast into
back wall to suit the
outside diameter of
the pipe at invert as
required.



TWO PIECE HEAVY DUTY SILT TRAP INLET 2PHDST D



Cast in Universal Anchor Point



Detail 'A'

Installation
Units should be bedded on minimum
100mm of semi-dry concrete. Sit the
headwall level with the front sill being set
normally at ditch bed level. For full
detailed installation instructions contact
ALTHON Ltd, 01603 488700

Material: Reinforced concrete
Weight approximately 1500kg

All dimensions in mm

Althon Ltd
Vulcan Rd South
Norwich NR6 6AF
t: 01603 488700
f: 01603 488598
www.althon.co.uk



Front elevation with
grating removed.

